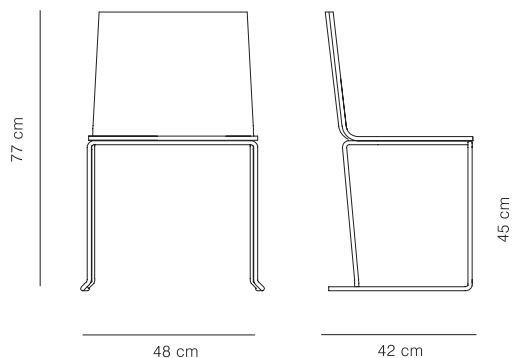


RSA - CHAIR



Frame in oak veneer.  
Structure in chromed steel.  
Stackable (not for the stool)  
and fix upholstered.

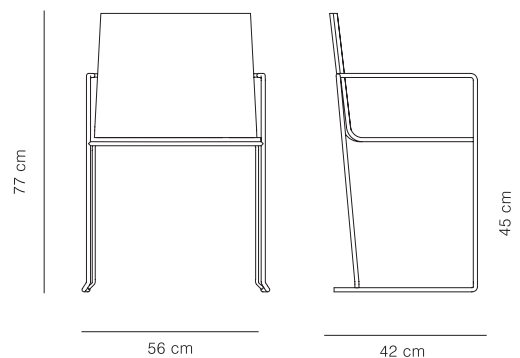
Stackable up to 4 units.

Upholstered models do not  
stack for long time as  
upholstered can be  
damaged.

Stools are not stackable.

Fix upholster.

RSBR - ARMCHAIR



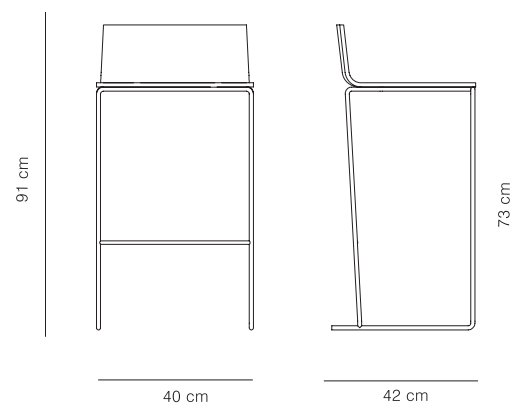
Needed fabric for material  
1,40 wide:

RSA-1= 1m

RSB-1= 0,8m

TS-1= 0,8m

TS - STOOL



CODE	MODEL	VOLUME (m3)	WEIGHT(Kg)	FINISHES	
RSA-R0	CHAIR	0.31	5.2	stained	
RSA-1				lacquered	
RSA-2				COM	
RSA-3				G2	
RSA-4				G3	
RSA-5				G4	
RSA-5				G5	
RSBR-R0	ARMCHAIR	0.31	5.7	stained	
RSBR-1				lacquered	
RSBR-2				COM	
RSBR-3				G2	
RSBR-4				G3	
RSBR-5				G4	
RSBR-5				G5	
TS-R0	STOOL	0.24	5.5	stained	
TS-1				lacquered	
TS-2				COM	
TS-3				G2	
TS-4				G3	
TS-5				G4	
TS-5				G5	

OPTIONS FOR FINISHES:  
 - STAINED: white oak, cognac, wenge and ash stain.  
 - LACQUERED (open pore): white, black, orange and smoke grey.

R.S.  
Luis Vidal

