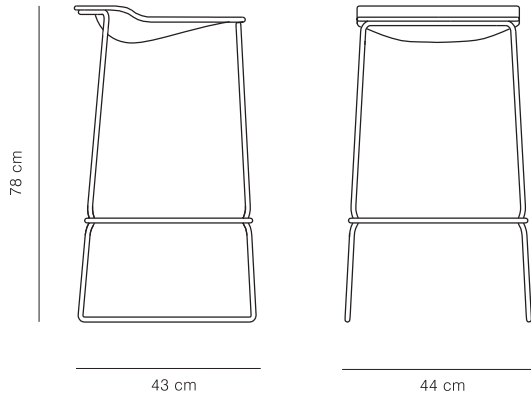


Last minute

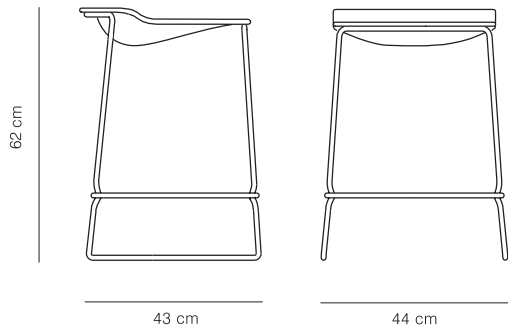
Patricia Urquiola

LMA - HIGH STOOL

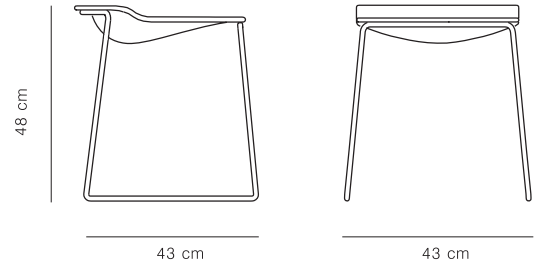


Injected polyurethane seat in black or white colour. Structure in gauged lacquered steel tube in thermoreinforced epoxy. Footrest in stainless steel.

LMM - MEDIUM STOOL



LMB - LOW STOOL



CODE	MODEL	VOLUME (m3)	WEIGHT(Kg)	FINISHES	EUROS
LMA-NN	HIGH	0.18	5	black	
LMA-BB				white	
LMM-NN	MEDIUM	0.18	4.5	black	
LMM-BB				white	
LMB-NN	LOW	0.12	2.5	black	
LMB-BB				white	

Last minute

Patricia Urquiola

